

LXinstruments GmbH
Rudolf-Diesel-Str. 36
71154 Nufringen
Germany



TECHNICAL PRODUCT INFORMATION

Test & measurement instruments

- ▶ high - quality
- ▶ moderate prices
- ▶ excellent precision

Your contact:

Technical support, services, demo & rental equipment, price information
& quotes, consulting:

Tel.: +49(0)7032 / 895 93-3

Mail: sales@lxinstruments.com

Web: www.lxinstruments.com

Shop: www.lxinstruments.com/shop

Description

The BMUX-15/4 is a 16:1 switch (multiplexer) in 4-wire technique. Up to 15 stacked or up to 8 separate battery cells can be individually switched onto an impedance meter (BIM1, BIM2, BTC1). Multiple cells can thus be measured without reconnection.

Switching is performed by 16 double contacts (each force and sense), constituting a channel. A cell is selected via 2 adjacent channels.

The BMUX-15/4 has 2 communication interfaces (USB and RS232) which can be used alternatively. If both interfaces are connected, the USB has priority.

Power is automatically supplied via USB; using RS232, an external power supply is needed.

The instrument is remotely controlled by a simple communication protocol or by a graphical user interface for Windows PC.



Function

Switching is done by specifying a cell number. Thus 2 adjacent input channels (4 wires or 2 double wires) are switched to a pair of output channels (4 wires or 2 double wires). For safety reasons it is only possible to select one cell at a time.

The channel switching is monitored: if the switching could not be performed properly, an error message will be given.

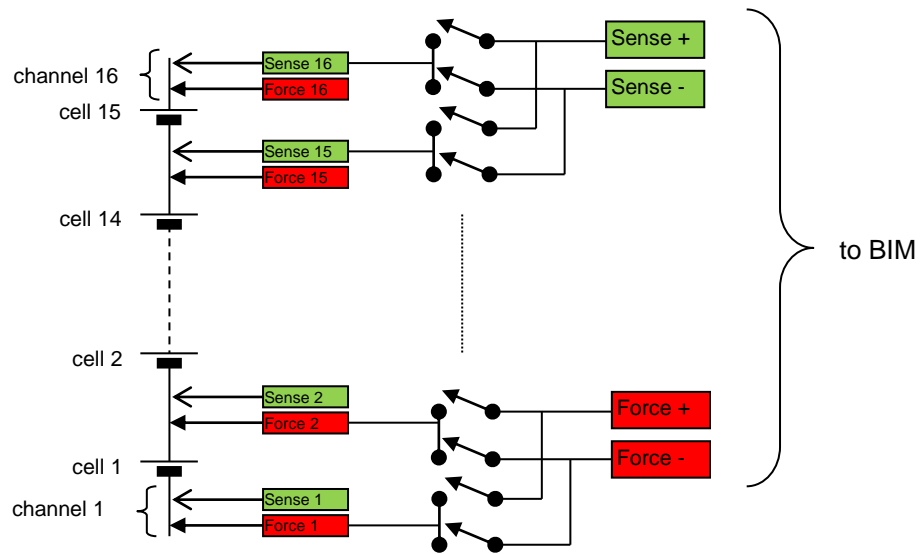
Remote Control

The instrument is remotely controlled with a simple communication protocol, e.g. via SPC.

Operation

A simple graphical user interface (GUI) is supplied for test purposes. It allows to select a channel and to activate diagnosis functions.

Structure



Technical Data

Parameter	Value
Number of channels	16 (16 double contacts)
Number of cells	≤ 15 stacked
Cell current	≤ 2A
Total voltage	≤ 60V
Switching time	< 5ms (break before make)
Expected life time	>10 ⁹ switching actions
Input connectors	16pin Force: pin connector Wago 714 (10pins + 6pins) 16pin Sense: pin connector Würth 6913223100xx (10pins + 6pins)
Output connectors	2pin Force: pin connector Wago 714 2pin Sense: pin connector PhoenixContact MC0,5/2-G-2,5
Power supply	via USB, max. 100mA RS232: external 9V...30V; ca. 40mA at 12V
Operation	Graphical user interface for PC with Windows
Remote control	Proprietary communication protocol
Operating temperature	10°C...40°C
Dimensions (HxWxD)	55x130x160 mm, Aluminium housing, shock protected

Scope of Delivery

- Battery Multiplexer BMUX-15/4 with USB cable
- 6 multipoint socket connectors for connecting single wires to the input and output connectors
- PC operating software (GUI) on CD-ROM
- Operating manual in English (printed and as pdf on the CD-ROM)